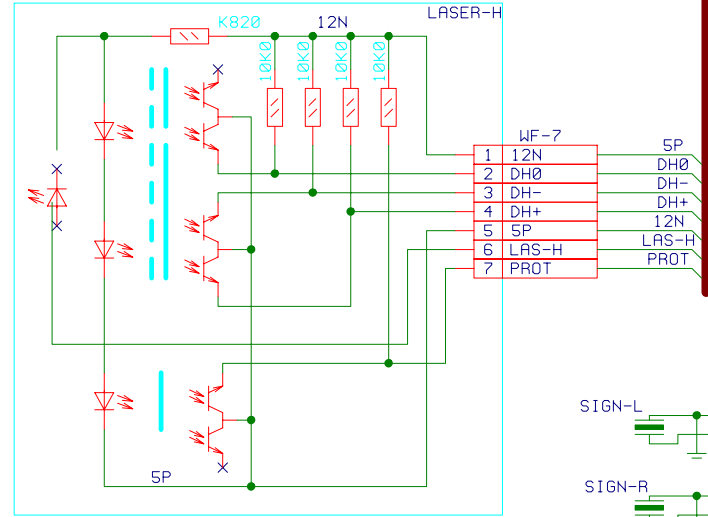
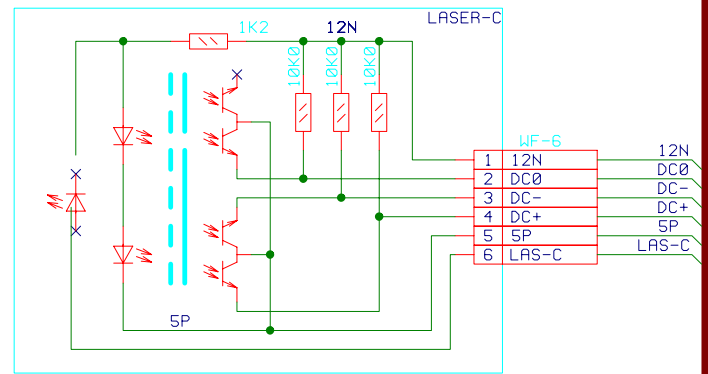
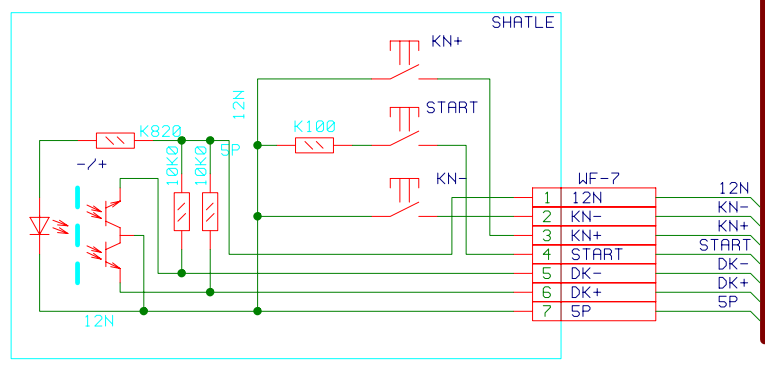
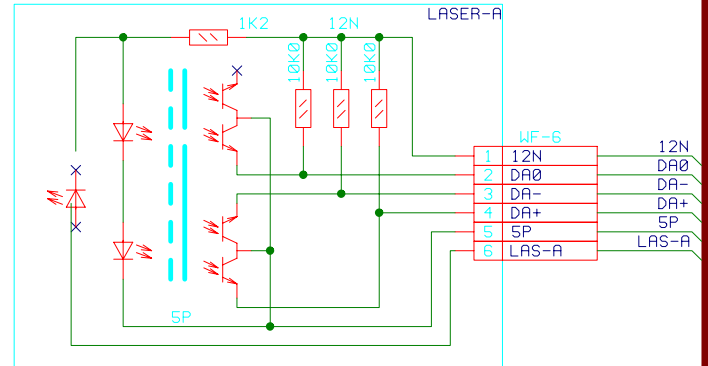
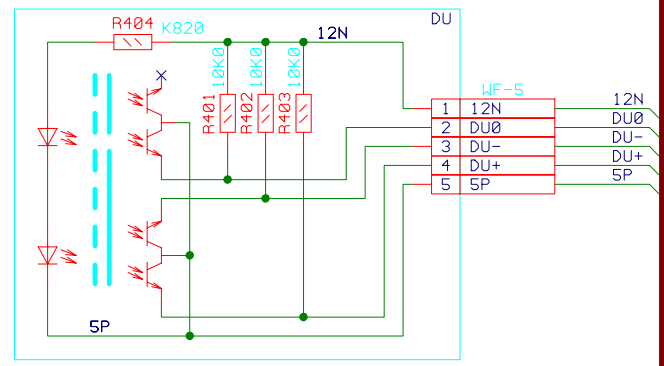


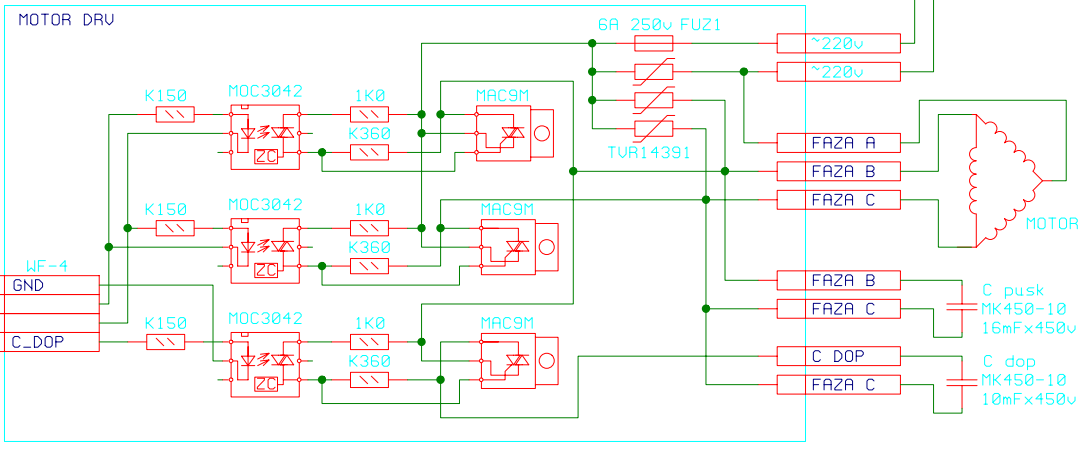
| ATX-250W | Color  | Voltage | Pin | Symbol |
|----------|--------|---------|-----|--------|
| ORANGE   | 3.3V   | 1       | X   |        |
| ORANGE   | 3.3V   | 2       | X   |        |
| BLACK    | COM    | 3       | X   |        |
| RED      | +5V    | 4       | X   |        |
| BLACK    | COM    | 5       | X   |        |
| RED      | +5V    | 6       | X   |        |
| BLACK    | COM    | 7       | X   |        |
| GRAY     | PWR_OK | 8       | X   |        |
| PURPLE   | SUSB   | 9       | X   |        |
| YELLOW   | +12V   | 10      | X   |        |
| ORANGE   | +3.3V  | 11      | X   |        |
| BLUE     | -12V   | 12      | X   |        |
| BLACK    | COM    | 13      | X   |        |
| GREEN    | /PS_ON | 14      | X   |        |
| BLACK    | COM    | 15      | X   |        |
| BLACK    | COM    | 16      | X   |        |
| BLACK    | COM    | 17      | X   |        |
| WHITE    | -5V    | 18      | X   |        |
| RED      | 5V     | 19      | X   |        |
| RED      | 5V     | 20      | X   |        |

| THP-4MR | Pin | Symbol |
|---------|-----|--------|
| 1       | 5P  |        |
| 2       | 12N |        |
| 3       | GND |        |
| 4       | 12P |        |



| IDC-24MS | Pin   | Symbol |
|----------|-------|--------|
| 1        | 12N   |        |
| 2        | KN-   |        |
| 3        | KN+   |        |
| 4        | START |        |
| 5        | DK-   |        |
| 6        | DK+   |        |
| 7        | 5P    |        |
| 8        | 12N   |        |
| 9        | DU0   |        |
| 10       | DU-   |        |
| 11       | DU+   |        |
| 12       | 5P    |        |
| 13       | 12N   |        |
| 14       | DA0   |        |
| 15       | DA-   |        |
| 16       | DA+   |        |
| 17       | 5P    |        |
| 18       | LAS-A |        |
| 19       | 12N   |        |
| 20       | DC0   |        |
| 21       | DC-   |        |
| 22       | DC+   |        |
| 23       | 5P    |        |
| 24       | LAS-C |        |

|       |      |
|-------|------|
| ~220v | 50Hz |
| ~220v | 50Hz |
| GND   |      |



| UPR | Pin   | Symbol |
|-----|-------|--------|
| 1   | GND   |        |
| 2   |       |        |
| 3   |       |        |
| 4   | C_DOP |        |

